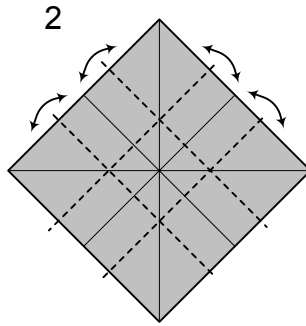
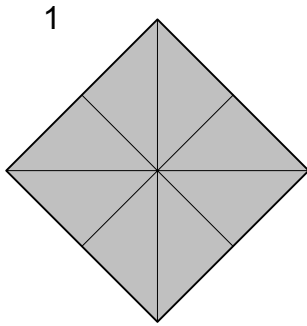
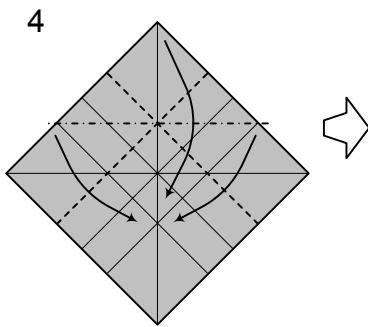
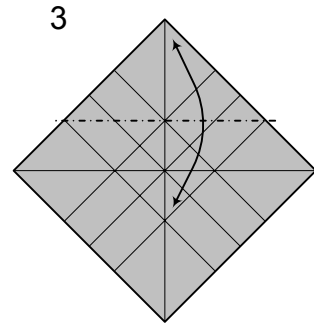


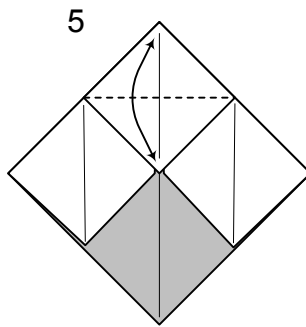
# Dracula



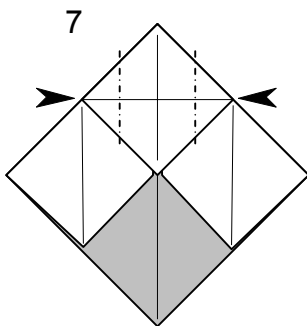
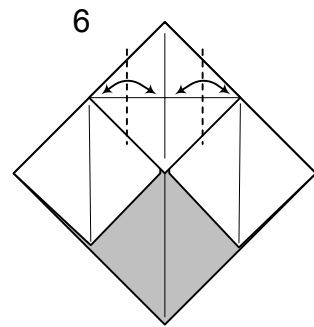
Crease into thirds.



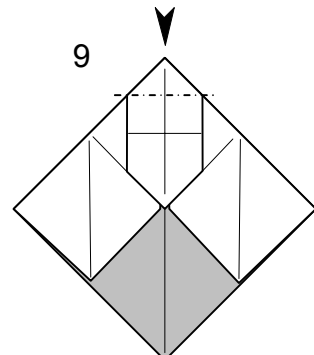
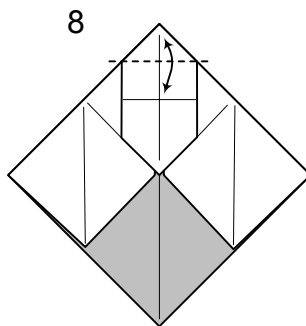
Preliminary fold.



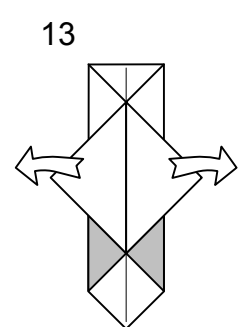
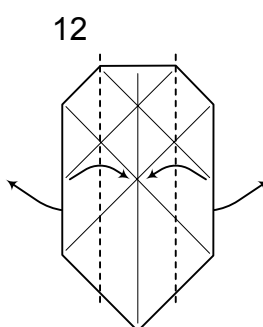
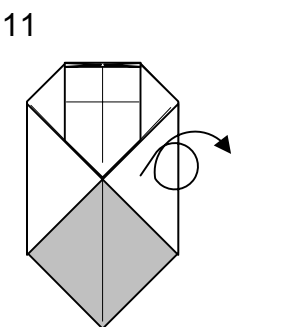
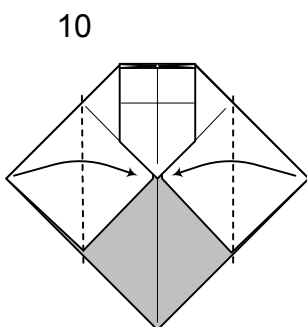
Crease the top layer.



Inside reverse folds.

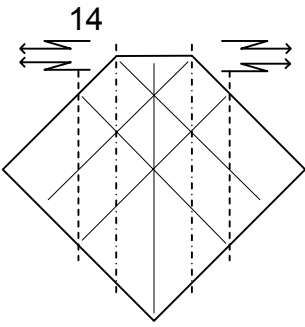


Sink.

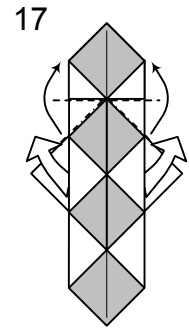
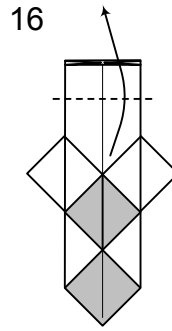
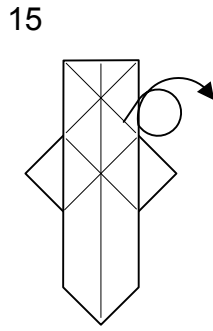


Unfold.

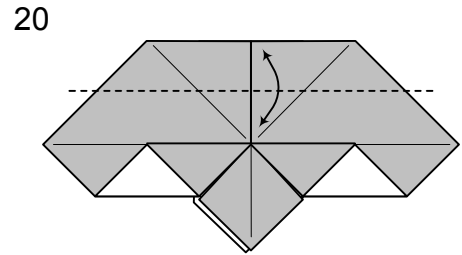
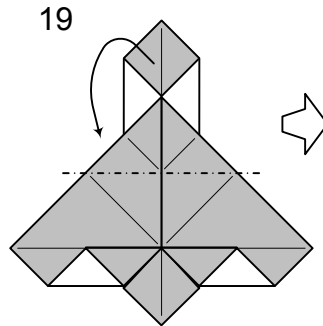
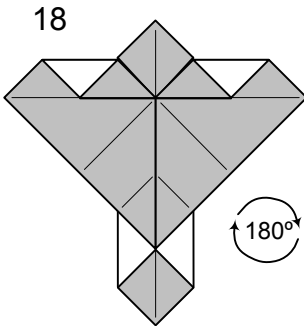
# Dracula



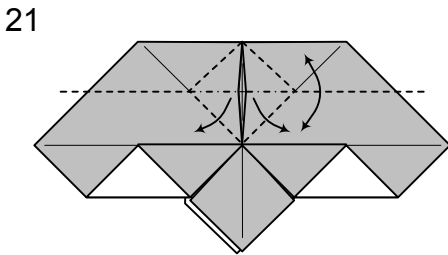
14 Double reverse folds.



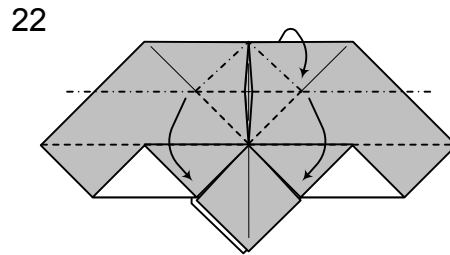
17 Squash folds.



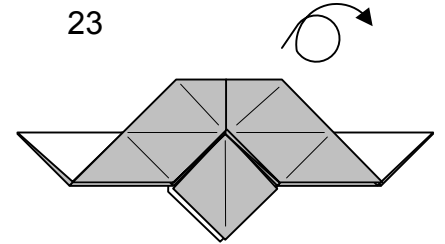
20 Crease firmly through all layers.



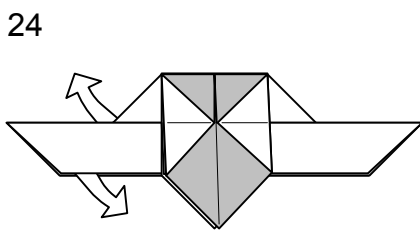
21 Crease again, incorporating 2 reverse folds.



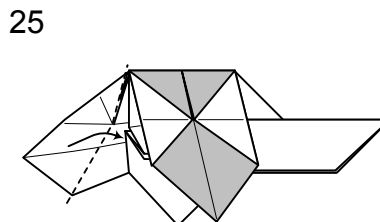
22 Fold again, incorporating squash folds.



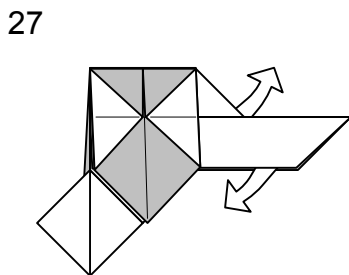
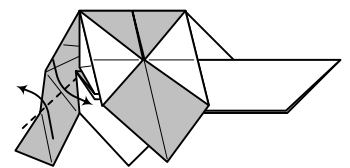
26 Flatten with a valley fold.



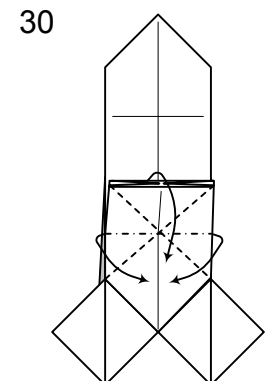
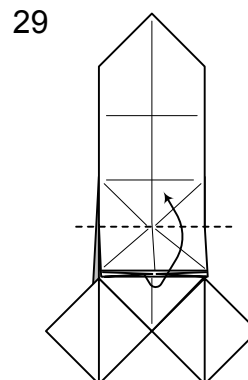
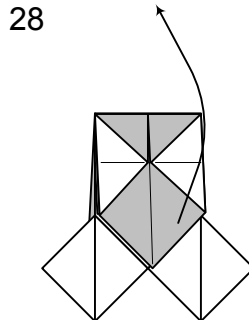
24 Open up one side. Do not flatten.



25 Valley fold inside.



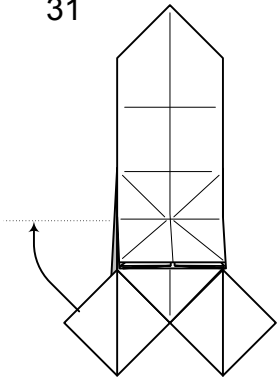
27 Repeat steps 24-26 on the other side.



30 Fold down, waterbomb folding 2 double layers.

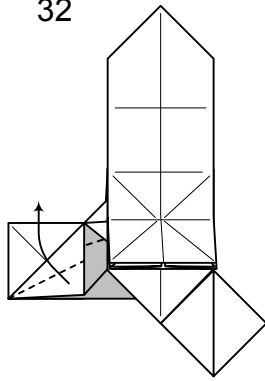
# Dracula

31



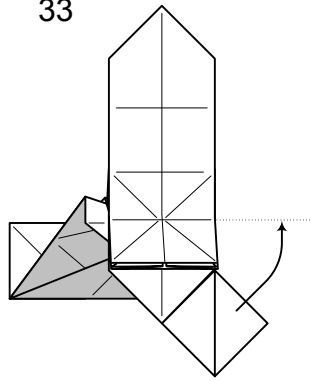
Swivel.

32



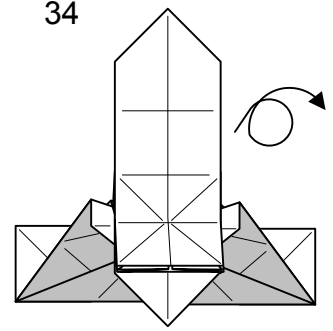
Swivel a single layer.

33

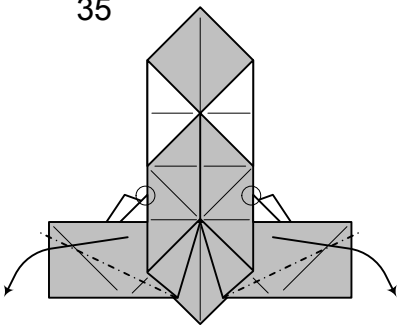


Repeat steps 31-32 on the other side.

34

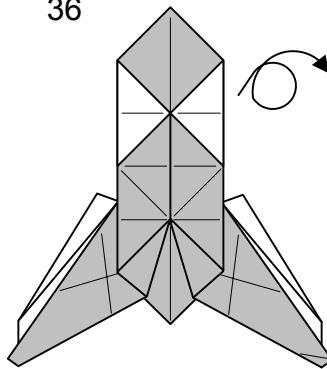


35

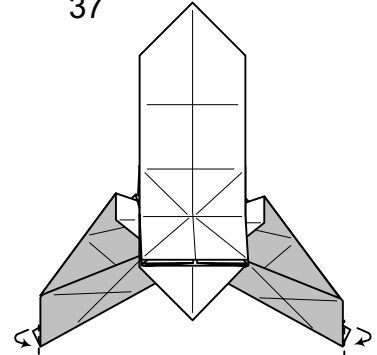


Swivel out up to the circled areas.

36

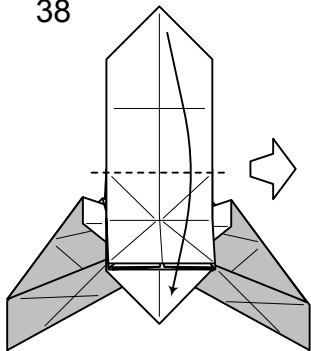


37

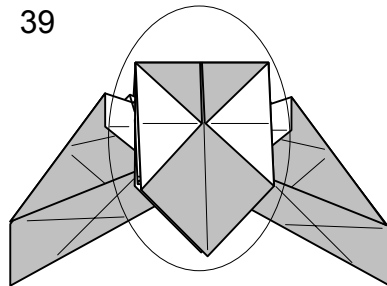


Tuck behind.

38

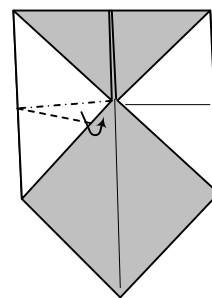


39



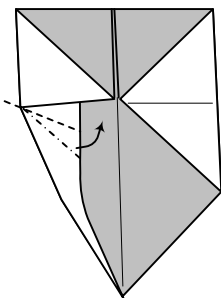
The next few steps will only show part of the model.

40



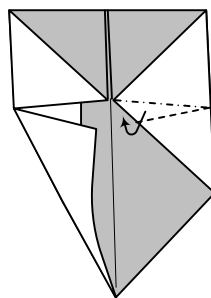
Swivel but do not flatten.

41



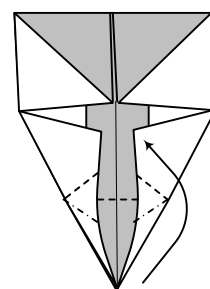
Swivel again to form an eye. Still don't flatten.

42



Repeat steps 40 and 41 on the other side.

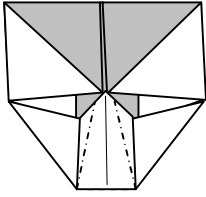
43



Squash flat to create a nose.

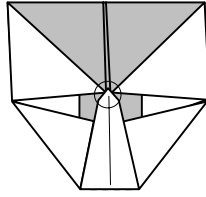
# Dracula

44



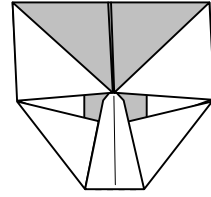
Swivel some more paper behind to narrow the nose.

45

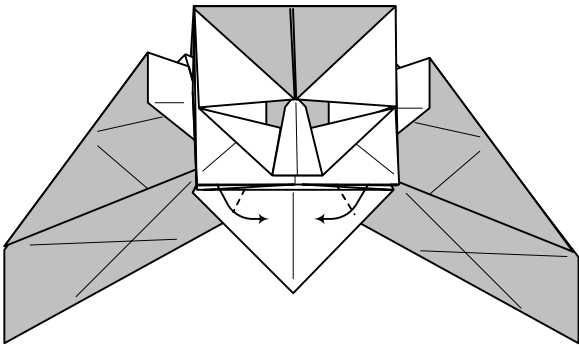


Tuck the circled tip under the other layers.

46

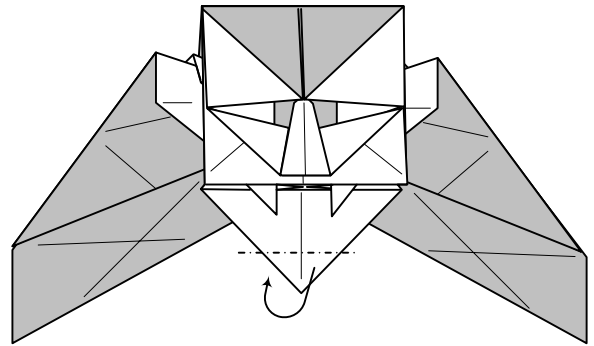


47

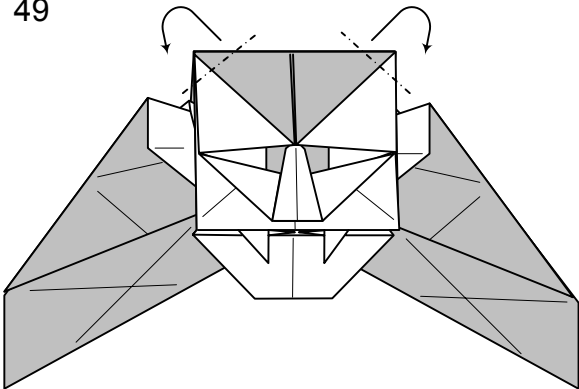


Valley fold the fangs.

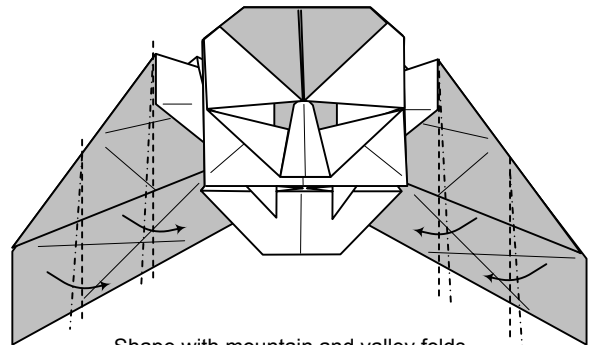
48



49



50



Shape with mountain and valley folds.

